



**XL Plastics**  
Converting Machinery

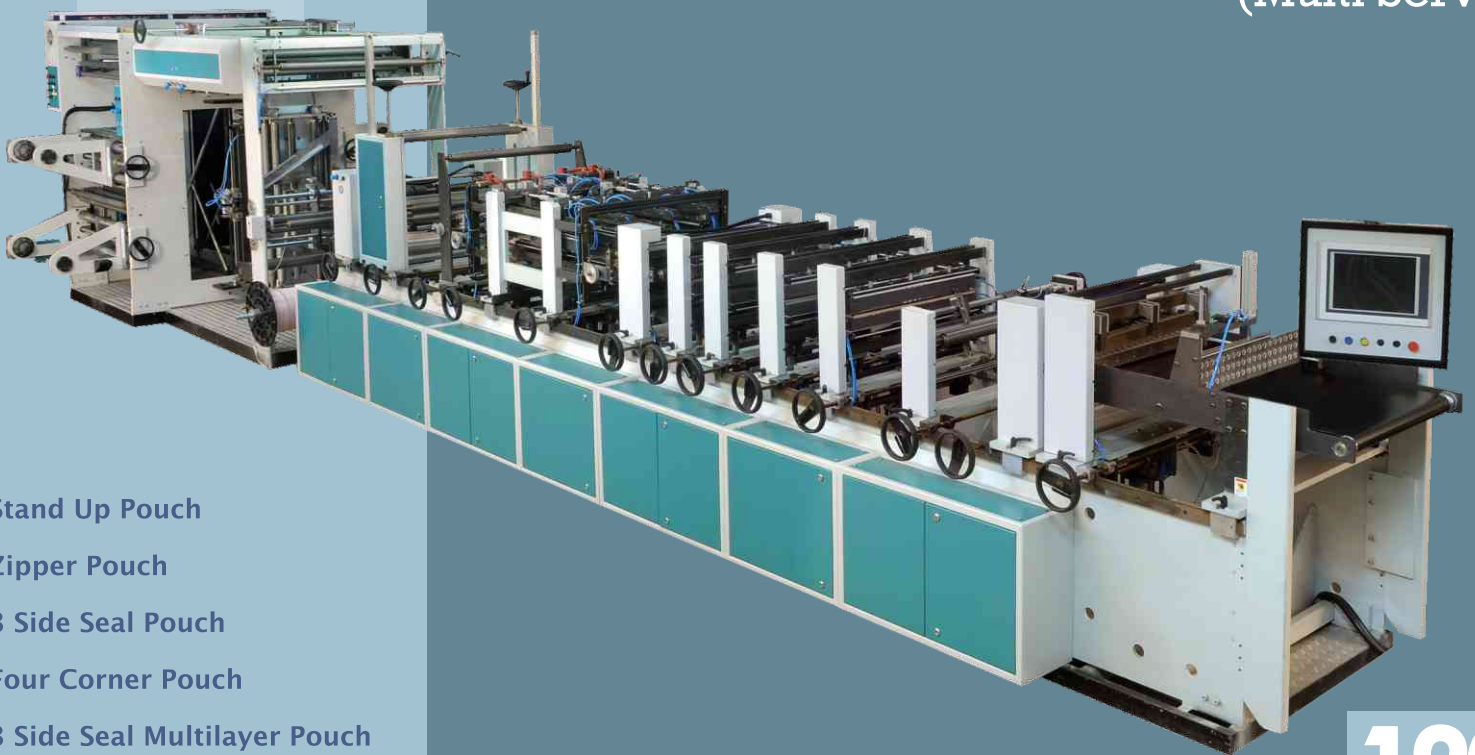
DELTA Series Servo Driven

### DELTA Series Servo Driven

- Multiple Sealing and Cooling Station.
- All Stations Actuated By Individual Servo Motor System
- Four Independent Shaftless Unwinders with Edge Guiding System.
- 4 Printed Webs Which Can Be Run In Register with Servo Motor & Photocell to Make 2 Stand Up & Zipper Pouches Simultaneously.
- Servo Motor Actuated Cutter Assembly.
- Auto Conveyor for Batch Collection of Pouches.

## Stand Up & Zipper

### Pouch Making Machine (Multi Servo)



- Stand Up Pouch
- Zipper Pouch
- 3 Side Seal Pouch
- Four Corner Pouch
- 3 Side Seal Multilayer Pouch

**120**  
Cycles / min.

Suitable for Film Compounds  
PE-PET / PE, PET / ALU / PE - PA / PE-PP / PP - Other combinations

**Model :**  
**SDP - 504-Z DELTA**  
**SDP - 704-Z DELTA (1000)**  
**SDP - 704-Z DELTA (1200)**

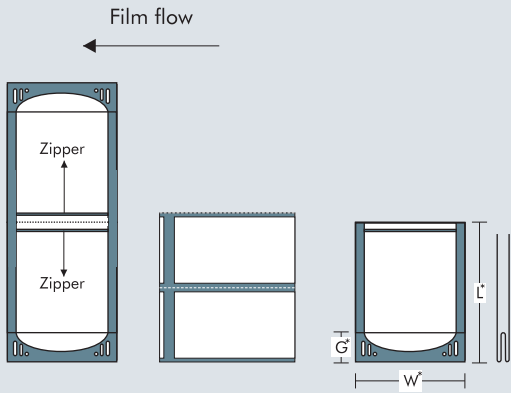
# Stand Up & Zipper Pouch Making Machine (Multi Servo System)

This is A Versatile Pouch Making Machine to Produce 3 Side Seal, Stand Up, Zipper And Four Corner Pouches.

The Machine Has Four Independent Unwind Stand And Can Produce.

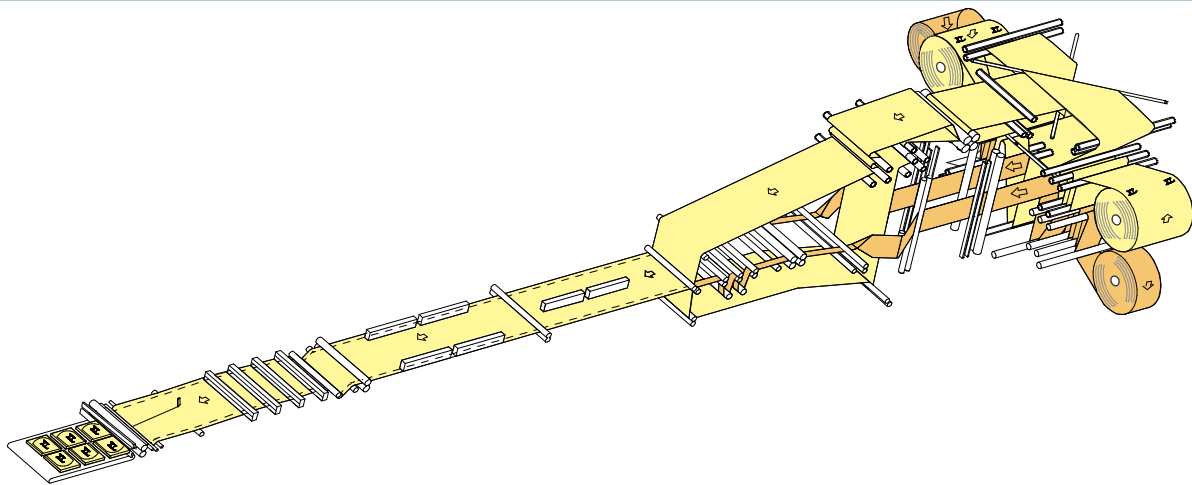
- 3 Side Seal Pouches From 2 Separate Rolls In Register.
- Side Gusseted Pouch From 4 Separate Webs In Register.
- Stand Up & Zipper Pouches One Up From a Single Web.
- Skip Fuction to Making Long Bag

The Machine is Capable of Making 3 Side Seal Pouches from Unlaminated Multilayer Film of PE/PP.



(\* Please Refer to Specification Table

## Flow diagram of Stand Up & Zipper Pouch Making Machine



Specifications For Stand Up & Zipper Pouch Making Machines

**SDP - 504-Z DELTA**

**SDP - 704-Z DELTA (1000)**

**SDP - 704-Z DELTA (1200)**

|  |                      |                             |                             |                             |
|--|----------------------|-----------------------------|-----------------------------|-----------------------------|
| Max Web Width Master Roll                        |                      | 1000 mm                     | 1000 mm                     | 1200 mm                     |
| Max Web Width Gusset Roll                        |                      | 300 mm                      | 300 mm                      | 300 mm                      |
| Max Gusset depth                                 | G*                   | 150 mm                      | 150 mm                      | 150 mm                      |
| Max Standup Gusset depth                         |                      | 45 mm - (75 mm optional)    | 45 mm - (75 mm optional)    | 45 mm - (75 mm optional)    |
| Max Speed  | Three Side Seal      | 120 Cycles / Min            | 120 Cycles / Min            | 100 Cycles / Min            |
|  | Stand-up             | 100 Cycles / Min            | 100 Cycles / Min            | 100 Cycles / Min            |
|  | Stand-up with zipper | 80 Cycles / Min             | 80 Cycles / Min             | 80 Cycles / Min             |
| Pouch size (MM)<br>(Stand up from Multiple web ) | W*                   | 60 - 280 (2 up )            | 60 - 280 (2 up )            | 60 - 280 (2 up )            |
|  | L*                   | 120 - 240 (2 up )           | 150 - 340 (2 up )           | 150 - 340 (2 up )           |
|  | L*                   | 120 - 500 (1 up )           | 280 - 700 (1 up )           | 280 - 700 (1 up )           |
| Max Stand-up Pouch Size from Single Web          |                      | 280 x 400 mm                | 280 - 400 mm                | 280 - 500 mm                |
| Compressed Air                                   |                      | 250 L/Min @ 7 bar           | 250 L/Min @ 7 bar           | 250 L/Min @ 7 bar           |
| Power Connected Load                             |                      | 40 Kw-415 V-3 phase+neutral | 45 Kw-415 V-3 phase+neutral | 45 Kw-415 V-3 phase+neutral |

Standard Supply Voltage: 415 V, 3 Phase & Neutral, 50 Hz  
(Can be changed as per customers requirement)

The manufacturer reserves the right to change design/specification because of continuous developments.  
Accessories /Attachments shown on the photograph may not be part of the standard machine.  
Max. Speed shown above is only indicative and the actual speed will depend on size, thickness and the materials of the film.  
Compressed Air & Chilled Water, Not in our Scope of Supply.



CE



**XL Plastics**

303/2 Makarpura Ind. Estate, Vadodara 390 010, INDIA  
Tel : + 91-265-2638125, 2638026 • Fax : + 91-265-2638661  
E-mail : info@xlplastics.com  
Website : www.xlplastics.com