



XL Plastics

Converting Machinery

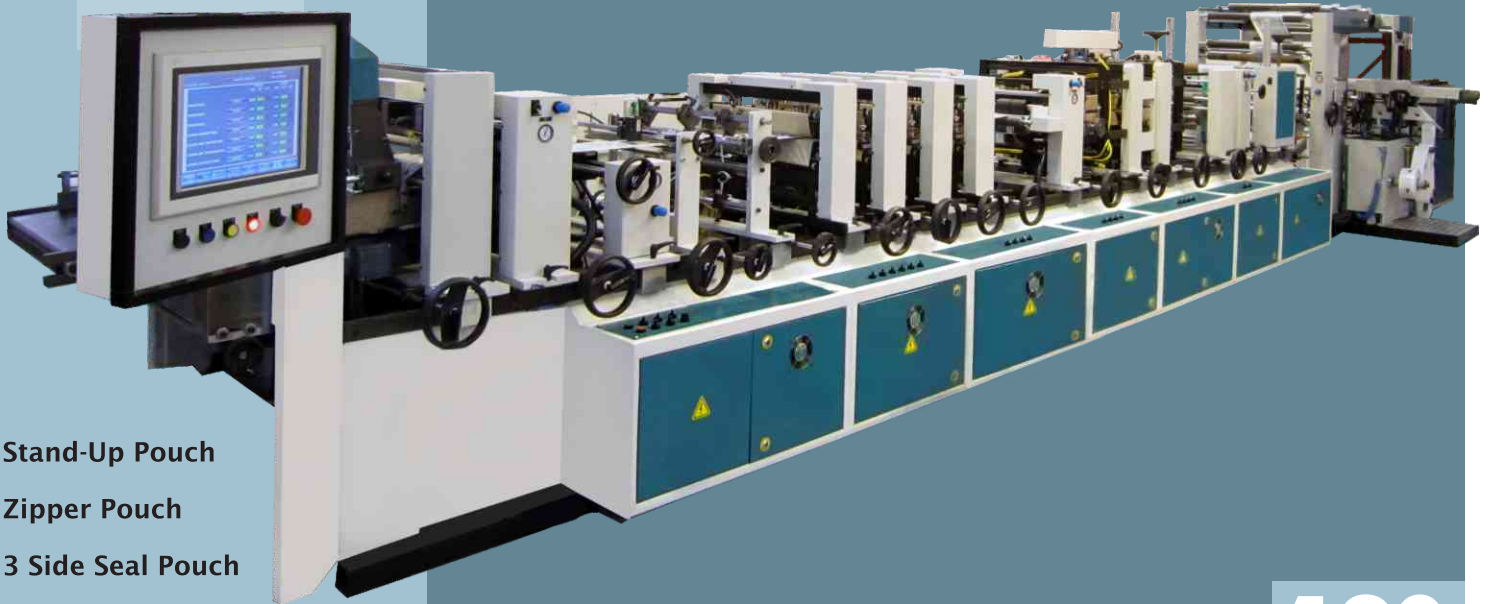
DELTA Series Servo Driven

- Multiple sealing and cooling station.
- All Sealing stations actuated by individual servo motor system to Control Seal time
- One Master Roll with Shaftless Unwinder and Driven Tension control system which is slit in center to form the top & Bottom of the pouch.
- Two Smaller Rolls with Air shafts & Edge guiding Units which are synchronized with Main film using additional 2 photocells to run printed webs in register with independent servo motor.
- Servo motor actuated cutter assembly.
- Auto conveyor for batch collection of pouches.
- Touch screen PLC for setting all parameters like Size, Speed, Dwell time, Temperature

DELTA Series Servo Driven

Stand Up & Zipper

Pouch Making Machine (Multi Servo)



- Stand-Up Pouch
- Zipper Pouch
- 3 Side Seal Pouch
- Four Corner Pouch
- 3 Side Seal Multilayer Pouch

120
Cycles / min.

Suitable for Film Compounds
PE-PET / PE, PET / ALU / PE - PA / PE-PP / PP - Other combinations

Model :
SDP - 503-Z DELTA
SDP - 703-Z DELTA

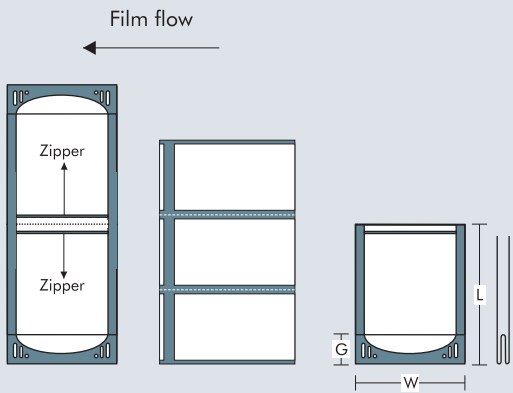
Stand Up & Zipper Pouch Making Machine (Multi Servo System)

This is a versatile pouch making machine to produce 3 side seal, stand up, zipper and four corner pouches.

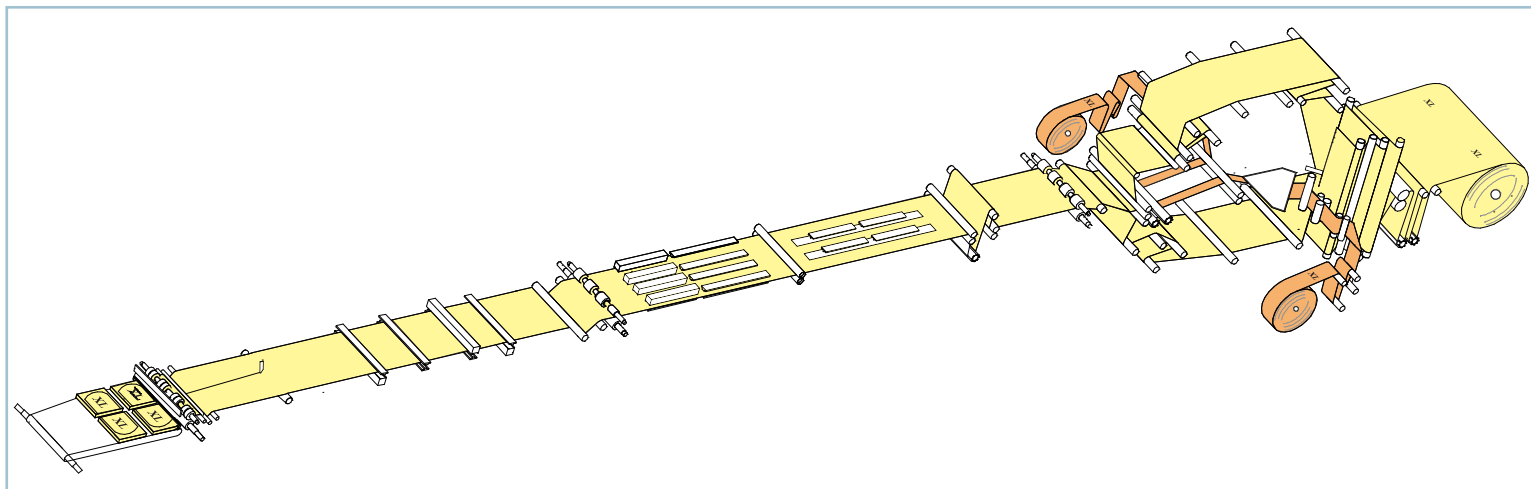
The machine has one Master unwinder and two smaller unwinders for bottom standup insert film.

- 3 side seal pouches from master roll.
- Side gusseted pouch from 3 separate webs in register.
- Stand up & zipper pouches 1 up from 2 independent films.
- Stand up & zipper pouches 2 up form 3 independent web .

The machine is capable of making 3 side seal pouches from un laminated Co-ex multilayer film of PE/PA.



Flow diagram of Stand Up & Zipper Pouch Making Machine



Specifications For Stand Up & Zipper Pouch Making Machines

		SDP - 503Z DELTA	SDP - 703Z DELTA
Max Web Width Master Roll		1000 mm	1400 mm
Max Web Width Gusset Roll		200 mm	200 mm
Max Gusset depth (G)		45 mm - (75 mm optional)	45 mm - (75 mm optional)
Max Pouch Size (L x W)		500 mm x 500 mm	700 mm x 500 mm
Max Speed	Three Side Seal	120 Cycles / Min	120 Cycles / Min
	Stand-up	100 Cycles / Min	100 Cycles / Min
	Stand-up with zipper	100 Cycles / Min	100 Cycles / Min
Compressed Air		250 L/Min @ 7 bar	250 L/Min @ 7 bar
Power		40 Kw - 415 V - 3 phase + neutral	45 Kw - 415 V - 3 phase + neutral

Standard Supply Voltage: 415 V, 3 Phase & Neutral, 50 Hz
(Can be changed as per customers requirement)

The manufacturer reserves the right to change design/specifications because of continuous developments.

Accessories/Attachments shown on the photograph may not be part of the standard machine.

Max. Speed shown above is only indicative and the actual speed will depend on size, thickness and the materials of the film.

Compressed Air & Chilled Water, Not in our Scope of Supply.



XL Plastics

303/2 Makarpura Ind. Estate, Vadodara 390 010, INDIA
Tel : + 91-265-2638125, 2638026 • Fax : + 91-265-2638661
E-mail : info@xlplastics.com
Website : www.xlplastics.com